

WARNING

This Instruction & Warranty booklet shall be removed only by the final user prior to using this unit.



Instructions & Warranty Therapeutic & Hydromassage Baths

Serial Number:

Model Name:

Date of Manufacture:

Important: Keep this booklet for warranty purposes

WARRANTY

LIMITED WARRANTY

20 Twenty (20) year limited warranty on the structure and the surface

Oceania Baths guarantees all acrylic baths (Lucite Cast Acrylics) against any failure from improper workmanship or loss of color for a period of twenty (20) years, from the date of purchase.

20 Twenty (20) year limited warranty on the therapeutic air systems.

Oceania Baths guarantees the therapeutic air systems from the date of purchase in this way :

- 0 to 1 year : Parts and labor*.
- 1 to 5 years : the plumbing and the jets, parts only
- 1 to 10 years : Blower, parts only
- 10 to 20 years : Blower, parts only with a decreasing value based on the retail price.

5 Five (5) year limited warranty on the electronic controls.

Oceania Baths guarantees the electronic controls from the date of purchase in this way :

- 0 to 1 year : Parts and labor*.
- 1 to 5 years : Electronic controls, parts only.

1 One (1) full year warranty on the Hydromassage air systems.

Oceania Baths guarantees the Hydromassage systems from the date of purchase in this way :

- 0 to 1 year : Parts and labor*.

*Oceania Baths will decide either to repair or replace any bath or part that fails as a result of manufacturing defect one (1) year from the date of purchase.

WARRANTY LIMITATIONS

- Original owner's of the bathtub.
- Registered bathtub (by Internet or warranty card).
- For residential use only.
- Canada-USA (120 Volts)
- Installation made by a qualified technician.
- Warranty void if the product has not been installed correctly, or not according to the building codes or state regulations.
- Warranty void if some modifications have been made to the product or bathtub.
- Oceania baths have the choice to repair or replace the product. In case of a replacement, the product can be replaced by a product of the same or greater value (on a 20 years period, the product can change).
- Warranty applies only on parts supplied by Oceania Baths.
- Oceania Baths cannot be held responsible of any costs or any loss of enjoyment except the defective component cost itself.
- An adequate access to the system components must be supplied, additional costs to make an access are not covered by the warranty.
- Oceania Baths have the choice to inspect installation or trouble before reparation.
- Bathtub must have been sold by an Oceania Baths authorized retailer/salesman.

WARRANTY RANGE

This warranty concerns exclusively the original buyer-user of the bathtub when the bath was purchased in Canada or in the United States of America. The product is covered by this warranty for the designated time as long as it is installed in its original location and owned by its original owner. The surface and acrylic are covered under a decreasing type of warranty, from the date of purchase: a complete warranty for the first five years, then decreasing progressively each of the following years. The therapeutic air and Hydromassage systems, as well as the electronic controls are covered under a decreasing type of warranty, from the date of purchase. The replacement parts, if needed, are shipped to the retailer and the shipping costs are at the charge of the customer.

WARRANTY

GUARANTEED EFFICIENCY

In case of mechanical failure, which would be covered by the present warranty, Oceania Baths will repair the bathtub presenting the failure. For a service call, please contact an authorized retailer/salesman.

INTERVENTIONS THAT WILL VOID THE WARRANTY

This warranty will be voided if your bathtub has been incorrectly installed or not in compliance with the local building codes and ordinances, has no access panel to make repairs, has been modified, has been damaged by abusive use, negligence, poor maintenance (refer to the Maintenance section of this manual), thermal shocks (flame, cigarette, boiling water, etc), damages caused during delivery (shocks, transport, handling, etc), misuse, chemical or natural corrosion (stains caused by ferrous or hard water), or improper electrical installation, any addition of a water purification or stabilization unit, or heating system not approved and which could contribute to the failure of one or another component, of this unit or to its possibility of unsafe use.

This warranty does not cover metal plating on jet heads or handles if these elements have been damaged by the use of chemical or abrasive cleaners, nor deteriorated parts due to mineral or any other matter deposits. Please refer to the Maintenance section of this manual to avoid these problems.

RENUNCIATIONS

Oceania Baths cannot be held responsible of any loss of enjoyment (use) of the bath nor of any costs, expenses or damages and interests, which may be direct or indirect, and may include, but not be limited to, any materials displaced or uninstalled or any other custom made installation. Any implicit warranty must not exceed the limited time warranty stated in the present guide.

In no case, Oceania Baths nor any of its sales representatives (retailer/salesman) can be held responsible of any injuries to any person nor damages caused to any properties, without consideration on how it might happen. Considering that the exclusion and/or limitation of direct or indirect damages and interests are not authorized in certain provinces or American states, the following restrictions may not apply.

LEGAL RESORTS

The present warranty provides you of certain legal rights; you may also dispose of other rights, which may vary from one province to another and from one state to another.

CUSTOMER SERVICE

For any service request, contact your Oceania Baths authorized service representative (retailer/salesman). If you do not know who your local service representative is, contact the Oceania Baths Customer Service at the following numbers:

1-877-332-4224

1-888-851-8918

TABLE OF CONTENTS

WARRANTY	2
INTRODUCTION	5
SAFETY PRECAUTIONS	6
INSTALLATION INSTRUCTIONS	8
Installation	8
Electrical Installation	10
Electric Wiring Diagrams	11
AERO SYSTEMS INSTALLATION ON CLAW-FOOT BATHS	13
Aero and Super AeroMassage Systems Installation Instructions on Claw-foot Baths	13
REMOVABLE SKIRT INSTALLATION	14
Installing Oceania Baths Removable Skirt	14
OPERATING INSTRUCTIONS	18
General Instructions	18
How to Use the Therapeutic Air System	19
How the Drying Cycle System Works	19
How to Use the Hydromassage Systems	20
USER MAINTENANCE INSTRUCTIONS	21
Maintenance Instructions	21
LUCITE: Easy Care for An Elegant Surface	22
TROUBLESHOOTING	23
Troubleshooting your Therapeutic Air System	23
Blower Fails to Operate	23
Motor Runs but no Air Comes Out of the Jets	23
The Air Heater Does Not Seem to be Working	23
The Blower Starts On Its Own	23
Troubleshooting your Hydromassage System	24
Pump Will Not Prime or Jet Pressure is Irregular	24
The Pump Will Not Rotate	24
Jet Pressure Is Too Weak	24
The Pump is Overheating	24
AEROTHERAPY & AROMATHERAPY	25
Aerotherapy, the Massage that Fits your Needs	25
Aromatherapy, Combined with Aerotherapy: A Soothing Experience	25
A Few Recipes	25
Perfume the Air: Another Aspect of Aromatherapy	25
Aromatherapy Chart	26
Chromatherapy Chart	27

INTRODUCTION

Welcome to a Wonderful World of Relaxation...

Oceania Baths Therapeutic Air and Hydromassage Systems

Here at Bains Oceania Baths, we are proud of our baths design and their manufacturing. You have acquired a bath of the up-most quality.

Your bath, just like each and every Oceania Baths product, went through a complete testing program before it is delivered to your retailer. First, the pump, the blower and the electronic components are tested to be in perfect working order, then a 12 to 24 hour water test is done to verify the waterproofing of all joints. Oceania Baths quality control program is very strict and we consider it essential, ensuring your entire satisfaction. You can relax peacefully!

Being an advised owner, you will understand that the proper workings of the systems included in your bath depend greatly on proper installation and use. We have prepared this manual with great care to guide you. Take time to carefully read the instructions and security warnings described in this manual and do not hesitate to contact your dealer if you feel it is necessary.

Oceania Baths welcomes you to the world of relaxation, comfort and better living!

Sit Down and Relax!

You can use your favorite bubble baths, bath salts and oils, just like an ordinary bathtub, but in smaller amounts, without risking any damage to the pump, the blower or the pipe systems.

Sit back and enjoy the luxury of your massage!

SAFETY PRECAUTIONS

IMPORTANT SAFETY INSTRUCTIONS: CAREFULLY READ AND FOLLOW ALL INSTRUCTIONS PRIOR TO INSTALLING THE UNIT.

INSTRUCTIONS PERTAINING TO A RISK OF FIRE, ELECTRIC SHOCK, OR INJURY TO PERSONS:

WARNING: When using this unit, basic precautions should always be followed, including the following:

1. READ AND FOLLOW ALL INSTRUCTIONS.
2. **DANGER:** To reduce the risk of injury or drowning, do not permit children to use this unit unless they are closely supervised at all times.
3. Use this unit only for its intended use as described in this manual. Do not use attachments not recommended by the manufacturer.
4. Never drop or insert any object into any opening.
5. Do not operate this unit without the guard over the suction fitting.
6. The unit must be connected only to a supply circuit that is protected by a ground-fault circuit-interrupter (GFCI). Such a GFCI should be provided by the installer and should be tested on a routine basis. To test the GFCI, push the test button. The GFCI should interrupt power. Push the reset button. Power should be restored. If the GFCI fails to operate in this manner, there is a ground current flowing, indicating the possibility of an electric shock. Do not use this unit. Disconnect the unit and have the problem corrected by a qualified service representative before using.
7. (For permanently connected units) A green colored terminal (or a wire connector marked "G", "GR", "Ground", or "Grounding") is provided within the terminal compartment. To reduce the risk of electric shock, connect this terminal or connector to the grounding terminal of your electric service or supply panel with a conductor equivalent in size to the circuit conductors supplying this equipment.
8. **WARNING:** Risk of accidental injury or drowning; Children should not use hydromassage or therapeutic bathtub without adult supervision.
9. **WARNING:** Risk of accidental injury or drowning; Do not use hydromassage bathtub unless all suction guards are installed to prevent body and hair entrapment. Even when this guard is in place, take special attention to long hair, which could be sucked up into the system. **NEVER WASH YOUR HAIR WHILE THE SYSTEM IS RUNNING.**
10. **WARNING:** To avoid injury, exercise care when entering and exiting your bathtub.
11. **WARNING:** Risk of accidental injury, or drowning; do not use alcohol, drugs or medication before or during the use of the bathtub.
12. **WARNING:** Risk of electric shock; Do not permit electric appliances such as hair dryer, lamp, telephone, radio or television within 1.5 meter (5 feet) of this bathtub.
13. **CAUTION:** Test the ground fault circuit interrupter protecting this bathtub periodically in accordance with the manufacturer's instructions.
14. **WARNING:** Risk of hyperthermia and possible drowning; Water temperature in excess of 38°C may be injurious to your health. Check and adjust water temperature before use.

SAFETY PRECAUTIONS

15. The use of a therapeutic air or a Hydro-massage system for the first time may cause an uncomfortable feeling. Limit your bathing time to 5 or 10 minutes for the first few baths, afterwards, progressively prolong your bathing time.
16. If you suffer from headache, dizziness or nausea, get out of the bath and take a cool shower. The water in your bath could be too hot and you may be suffering from hyperthermia. If this problem persists, consult your doctor.
17. Never start the hydromassage system if the jets are not completely submerged.
18. Building materials and wiring should be routed away from the pump or blower body or other heat-producing components of the unit.
19. Inappropriate use of essential oils, at full strength, may cause skin irritation and could damage the bath surface.
20. **WARNING:** Some brands of *Wintergreen* essential oils have been known to damage acrylic surfaces.
21. **NEVER use a Super AeroMassage, NeoMassage or Balneo bathtub (with jets or holes at the bottom) before final electrical installation. Using these bathtub systems before final electrical installation will cause obstructed jets and holes. These problems will occur because the automatic drying cycle won't operate.**

SAVE THESE INSTRUCTIONS.

INSTALLATION INSTRUCTIONS

INSTALLATION

The services of a professional plumber are highly recommended for the installation of the bathtub. The services of an electrician are also recommended to hook up the hydromassage and/or therapeutic systems.

1. Never use a hydromassage or therapeutic bathtub before final installation (including electrical wiring installation).
2. The minimum structural strength required to support the unit is 1200 lbs (tub and water).
3. Never mud the bathtub or add cement.
4. To avoid vibration problems, leave a small space of 1/16" between the podium (deck) and the bath lip, seal that space with silicone.
5. For units with tile flange, leave a small space of 1/8" between the bath lip and the tiles on the walls, seal that space with silicone.
6. The tub must be solidly supported at its base and leveled. **It should not be suspended by the bath lip.**
7. You must provide a one square foot (minimum) air vent that will let air go through, like a metal grid, to assure fresh airflow to the blower. This will avoid overheating problems. The warranty does not cover the costs for the replacement of a blower that overheated.
8. The free air space in the podium (deck) shall be minimum 13.31 cubic feet and is determined by multiplying the outside length (L), the width (W), and the height (H) (1 inch below the overflow) minus the maximum water capacity in cubic feet (1 inch below the overflow). Tip: 7.48 gallons US = 1 cubic ft.
9. Prepare the location of the tub, ensuring that all necessary connections (electrical and plumbing) are in place.
10. Before finishing the installation of the tub, fill it and check for leaks in the pipe system (which may be caused by transportation, manipulation and/or installation) while it is still accessible.
11. Before closing the podium (deck), make certain that the blower and/or pump are working to ensure that the electrical connections are installed the right way.

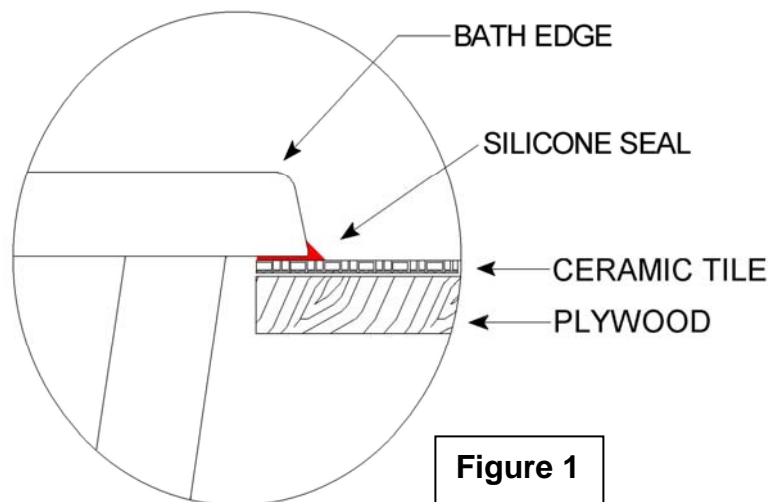
12. Check that the tub drain works normally as it should.
13. The blower must be supplied with warm surrounding air and not with cold outside air. The blower should not be installed in a cool space where the temperature could drop below 68 F (20 °C).
14. Ensure that pump, blower and electronic control are accessible for future maintenance. An access panel, of at least one square foot, must be included to your deck plans. **No repair under warranty will be made if no access panel is available.**

NOTE: All repairs, if needed, should be done by a factory approved repairman. No periodic maintenance is required for the pumps, blowers or keypads.

15. Never handle your bathtub by the piping. Do not rest your bath on the jets or pipes located underneath the bath. Be careful not to hit a wall, the deck or doorframe with the jets or pipes installed on the bath.
16. Before finishing the installation, **be certain to clean the space under and around the bath** to avoid the suction of debris by the blower inside the system.
17. The bathtub must be properly cleaned of all installation debris before filling it up with water.

NOTE: The bath must be entirely supported at its base, at all times. Place some wood shims under the base of the bath, in order to level the bath.

INSTALLATION ON DECK :



INSTALLATION INSTRUCTIONS

INSTALLATION WITHOUT ADJUSTABLE FEET :

LEVEL WITH WOOD SHIMS

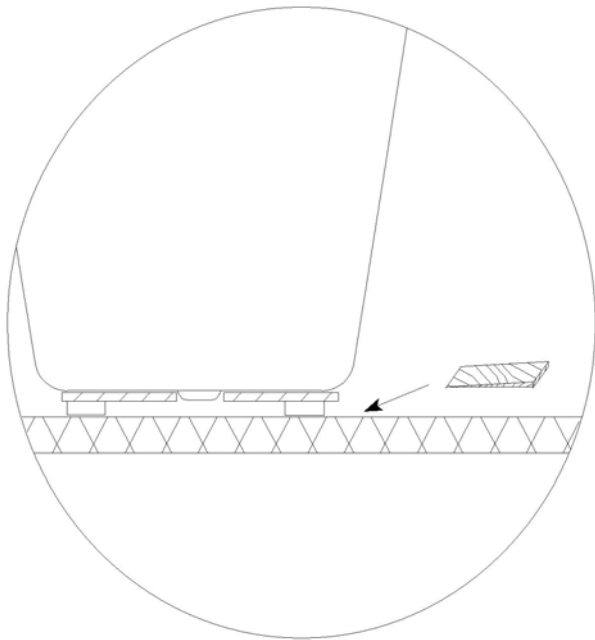
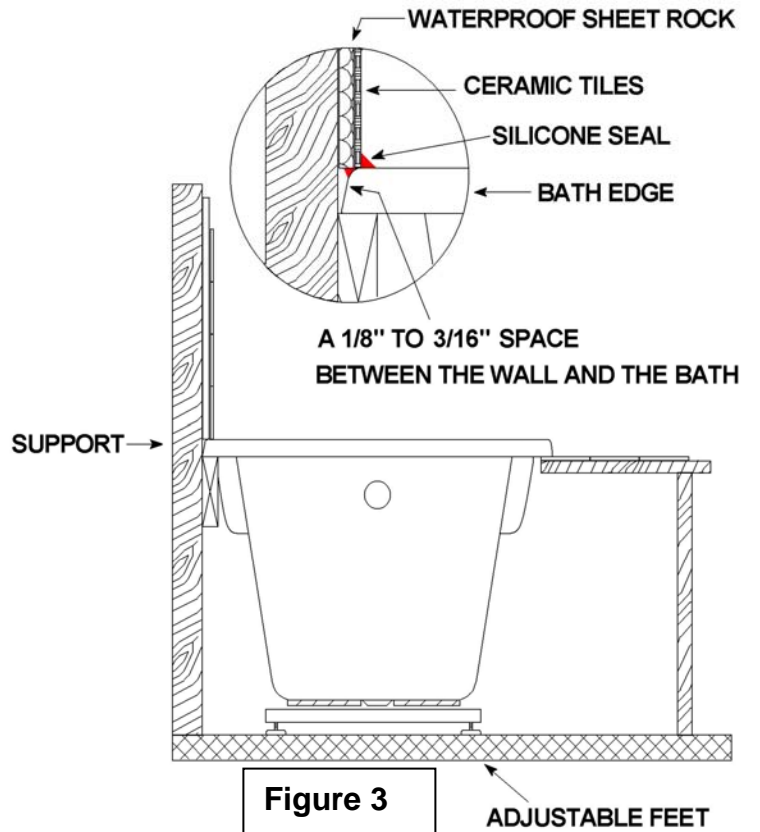
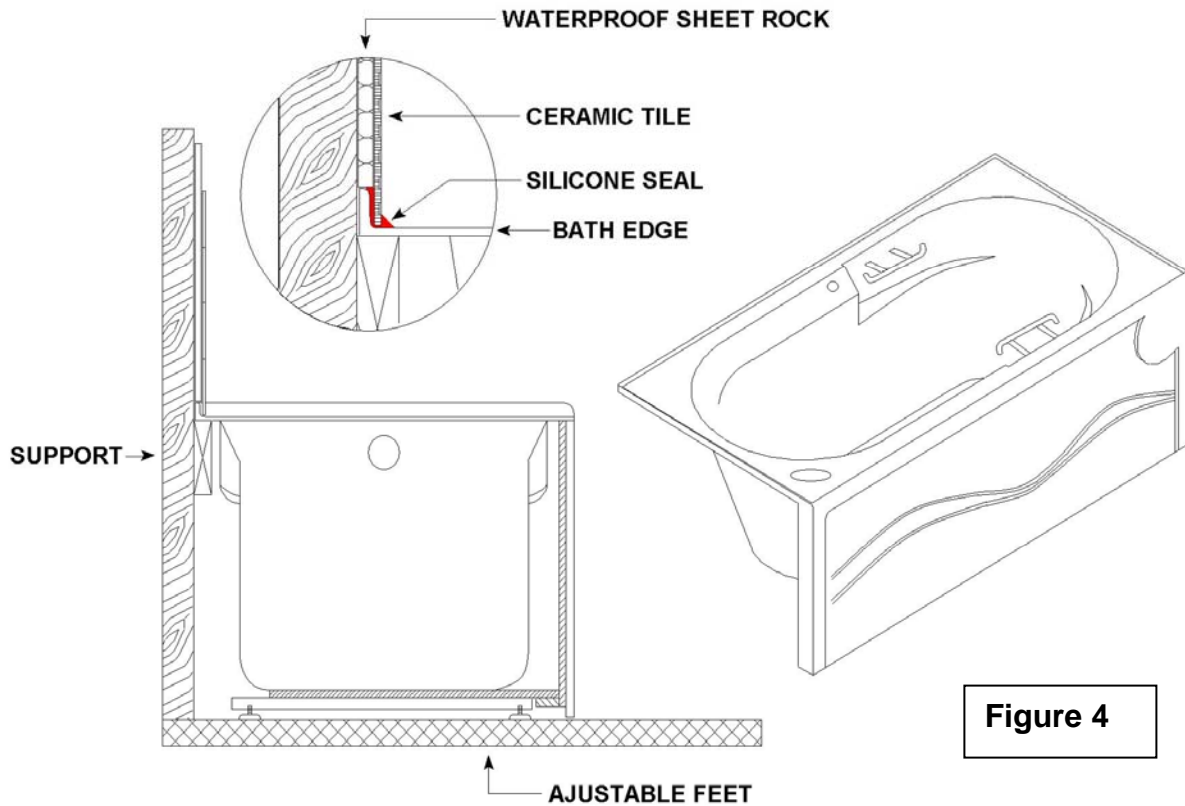


Figure 2

INSTALLATION AGAINST A WALL:



INSTALLATION AGAINST A WALL WITH TILE FLANGE :



INSTALLATION INSTRUCTIONS

ELECTRICAL INSTALLATION

WARNING: When using electrical products, basic precautions should always be followed, including the following:

- a) For Indoor use only.
- b) Install in accordance to Oceania Baths installation instruction.
- c) Use supply wires suitable for minimum 90°C.
- d) Use copper conductors only.
- e) **DANGER: RISK OF ELECTRIC SHOCK.** Connect only to a circuit protected by a ground-fault circuit-interrupter (GFCI) of Class A.
- f) Connect only to a circuit protected by over current protection device rate not more than 15 Amps.
- g) Grounding is required. The unit should be installed by a qualified service representative and grounded.
- h) For all units, install to permit access for servicing.

NOTE: In some areas, local regulations may require that professionals carry out the electrical installation. For your own safety, respect these regulations.

1. Before starting the electrical installation, turn off all power supply.
2. The pump and blower are designed for use with an independent 15 amp, 120V electrical power supply protected by an over current protection device rated not more than 15 Amp.
3. The circuit should be connected permanently to the electrical panel. Never use an extension wire. The electrical installation must be permanent and in accordance with local regulations.
4. Each system of your bath must be connected to an independent power supply that is protected by a ground fault circuit interrupter (GFCI), supplied by the electrician installing your bath. Regularly check the GFCI circuit breaker to be certain that it always works properly.
5. In order to reduce the risk of electrocution, all surrounding electrical installations must be properly grounded.
6. An equipment grounding terminal is provided in the field wiring compartment. To reduce the risk of electric shock, this terminal must be connected to the grounding means provided in the electric supply panel with a conductor equivalent in size to the circuit conductors supplying this equipment.
7. (For units in Canada) Install this unit in accordance with the Canadian electrical code, Part 1.
8. No wall timer is necessary with all of our systems; every system is equipped with an integrated 20 minutes timer.

INSTALLATION INSTRUCTIONS

ELECTRIC WIRING DIAGRAMS

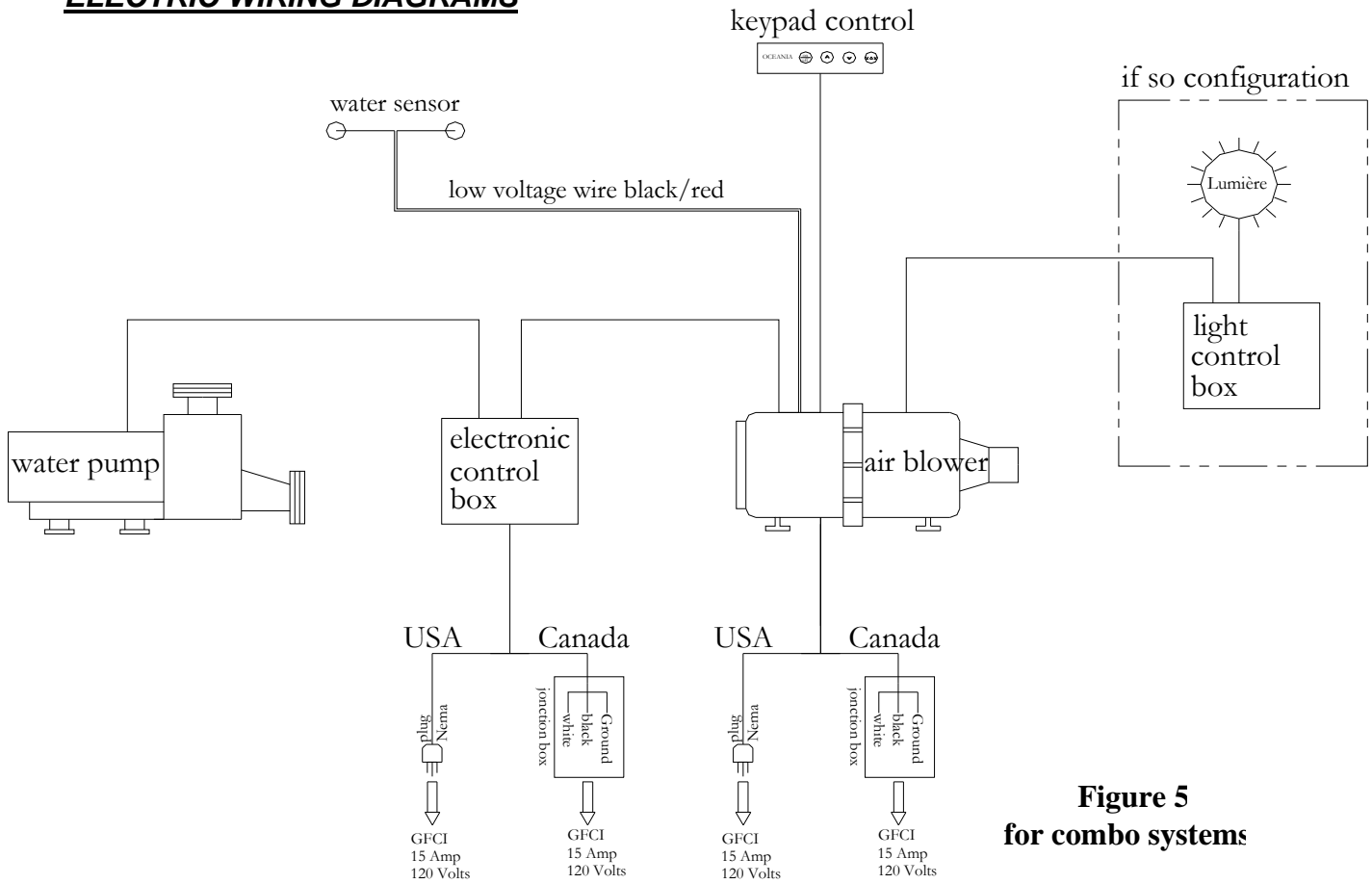


Figure 5
for combo systems

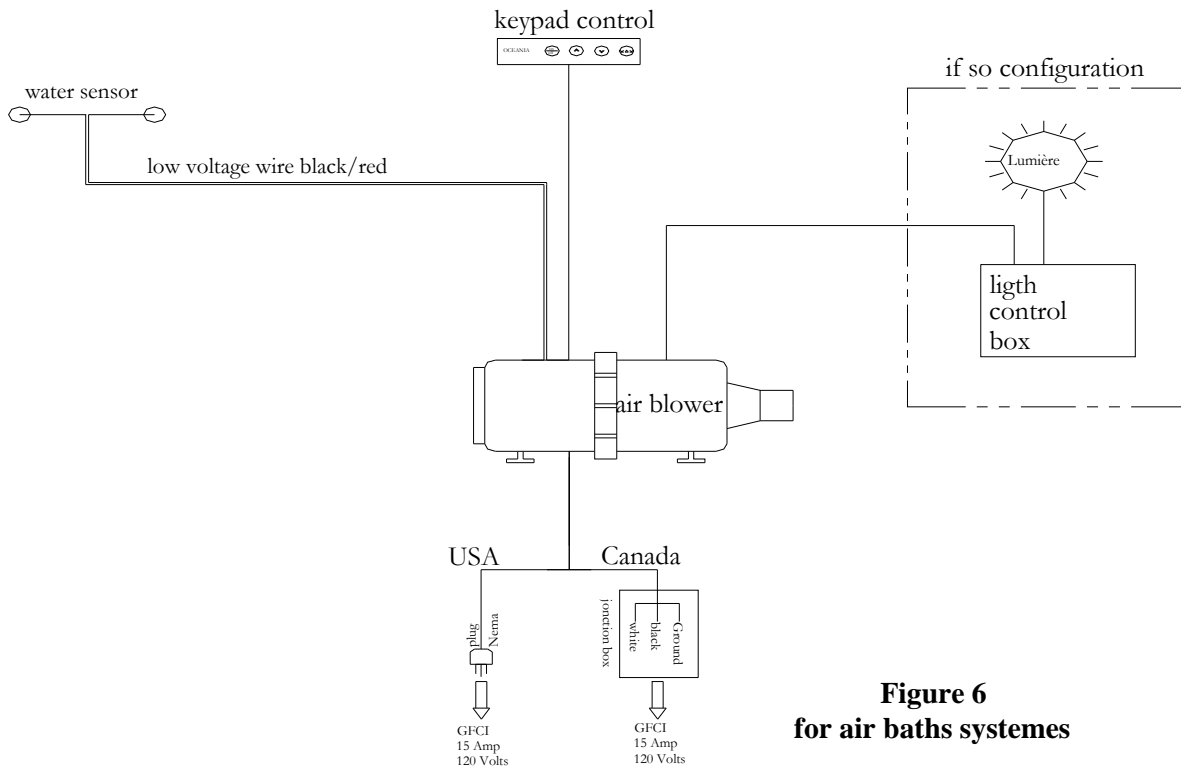


Figure 6
for air baths systemes

INSTALLATION INSTRUCTIONS

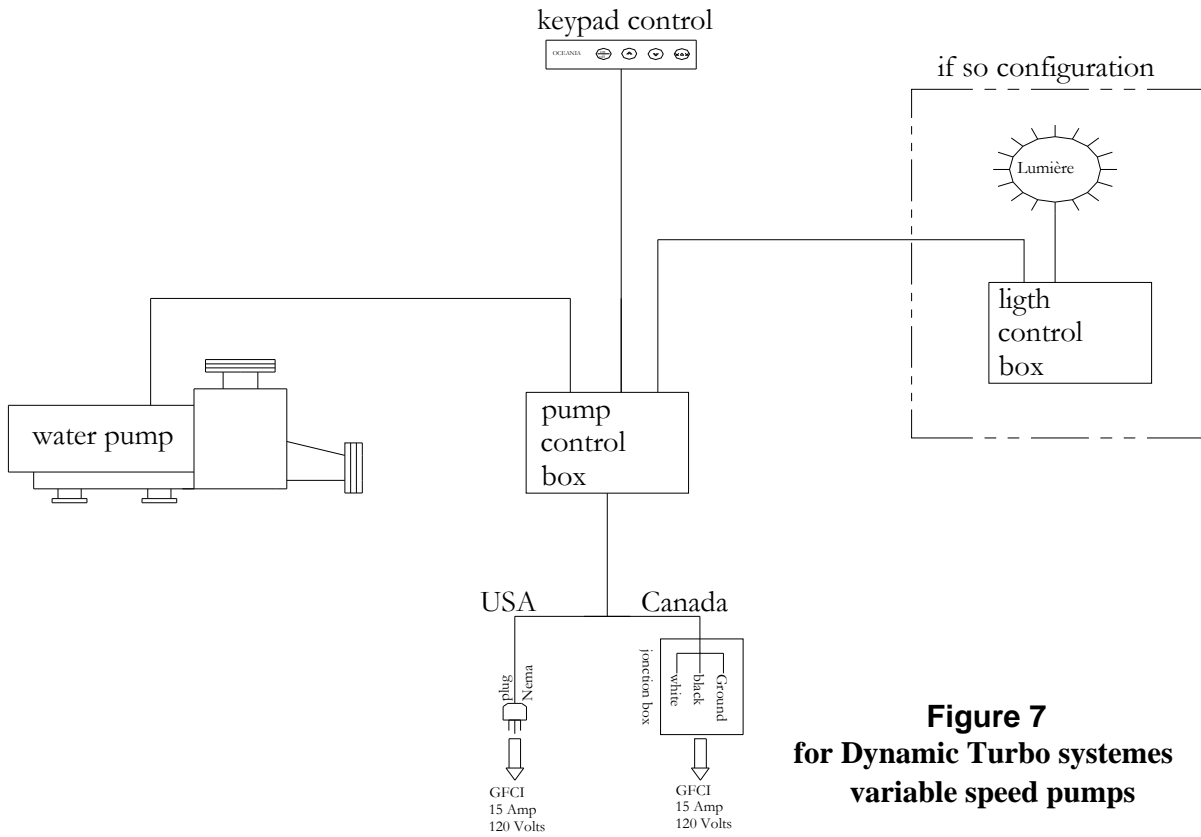


Figure 7
for Dynamic Turbo systems
variable speed pumps

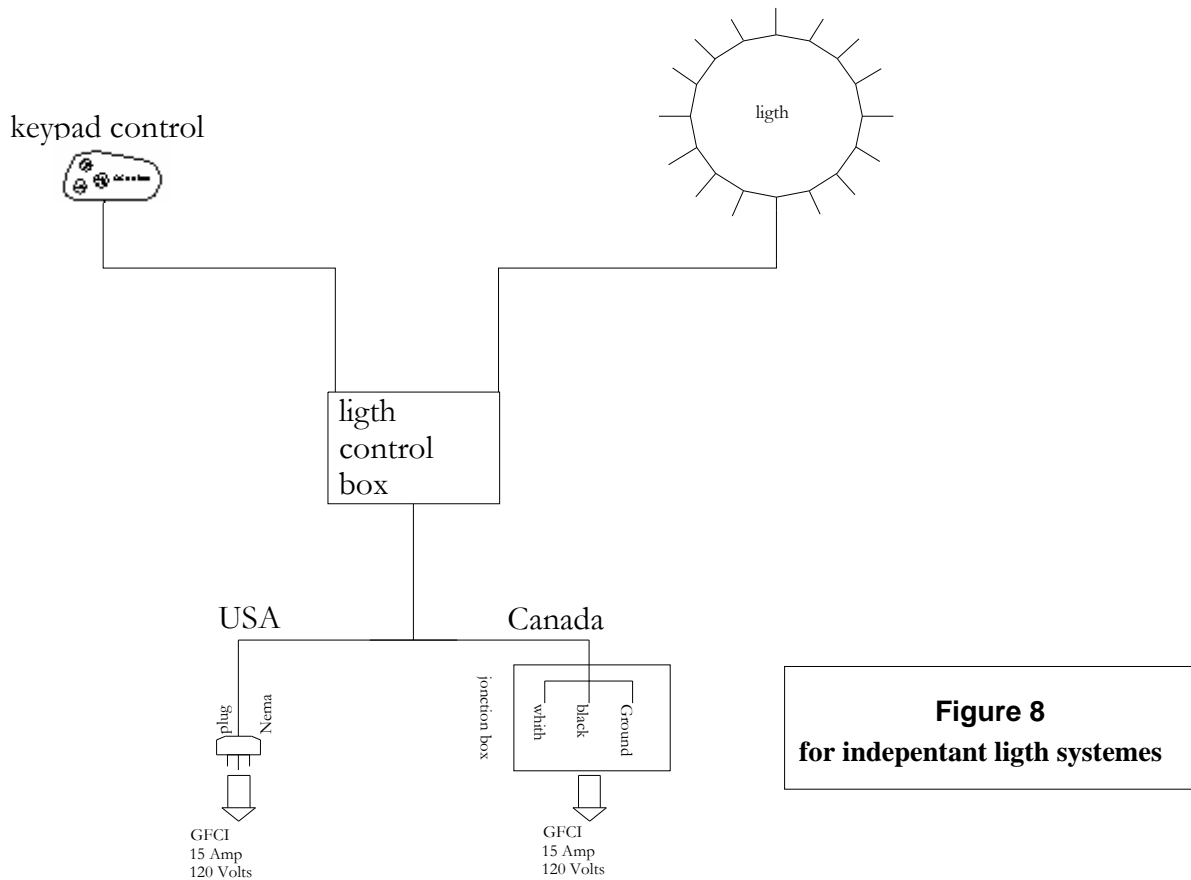


Figure 8
for independent light systems

AERO SYSTEMS INSTALLATION ON CLAW-FOOT BATHS

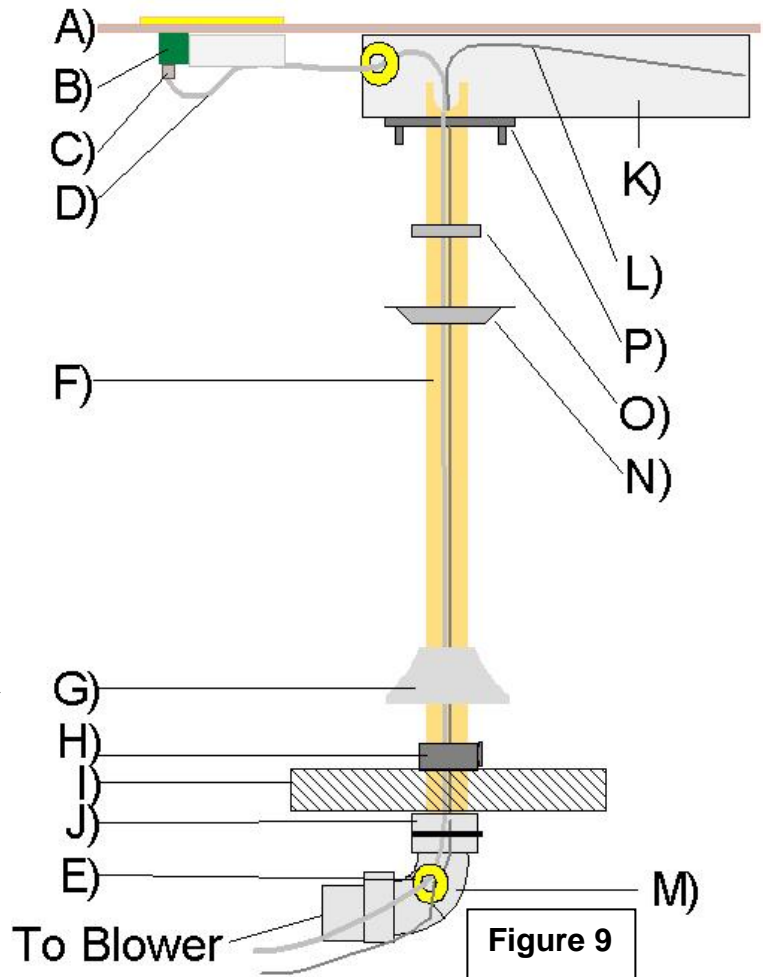
AEROMASSAGE AND SUPER AEROMASSAGE SYSTEMS INSTALLATION INSTRUCTIONS ON CLAW-FOOT BATHS

1. Slide down the retention ring (H) and the bell flange (G) onto the main air pipe (F).
2. Slide down the seal flange (N) (with flange lips facing down) onto the main air pipe (F).
3. Slide down the seal (O) (with rubber facing up) onto the main air pipe (F).
4. Push wires (D & L) into the main air pipe (F).
5. Push wires (D & L) through the floor (I). Glue in the ABS quick coupler (J) to the ABS elbow (M). Run wires (D & L) through the ABS quick coupler (J) and through the hole positioned on the side of the ABS elbow (M) and then through the rubber grommet (E).
6. Fit the main air pipe (F) into the main air pipe adapter (P) located underneath the bath deck. Carefully guide the wires (D & L) into the grooves on top of the main air pipe (F) to avoid any damage.

	Description of Components
A)	Bath deck
B)	Electronic control keypad
C)	Keypad plug
D)	Keypad wire
E)	Rubber grommet
F)	Main air pipe
G)	Bell flange
H)	Retention ring
I)	Floor
J)	ABS quick coupler
K)	Air channel
L)	Water detector wire
M)	ABS elbow
N)	Seal Flange
O)	Seal
P)	Main Air pipe adapter

Should future maintenance be required, it is recommended to leave access to the plumbing and ABS connections

7. Place the main air pipe retention ring (H) at floor level and tighten. Slide down the bell flange (G).
8. Fit the ABS quick coupler (J) onto the main air pipe (F) and firmly tighten. Connect the ABS pipe and the wires (D & L) to the blower.
9. Slide the seal (O) and the seal flange (N) up to the main air pipe adaptor (P) and bolt in place with the included bolt.
10. Push the rubber grommet (E) back into place and leave the excess wire in the floor and fill the grommet with silicone (**VERY IMPORTANT:** silicone must be completely dry before the blower is turned on).

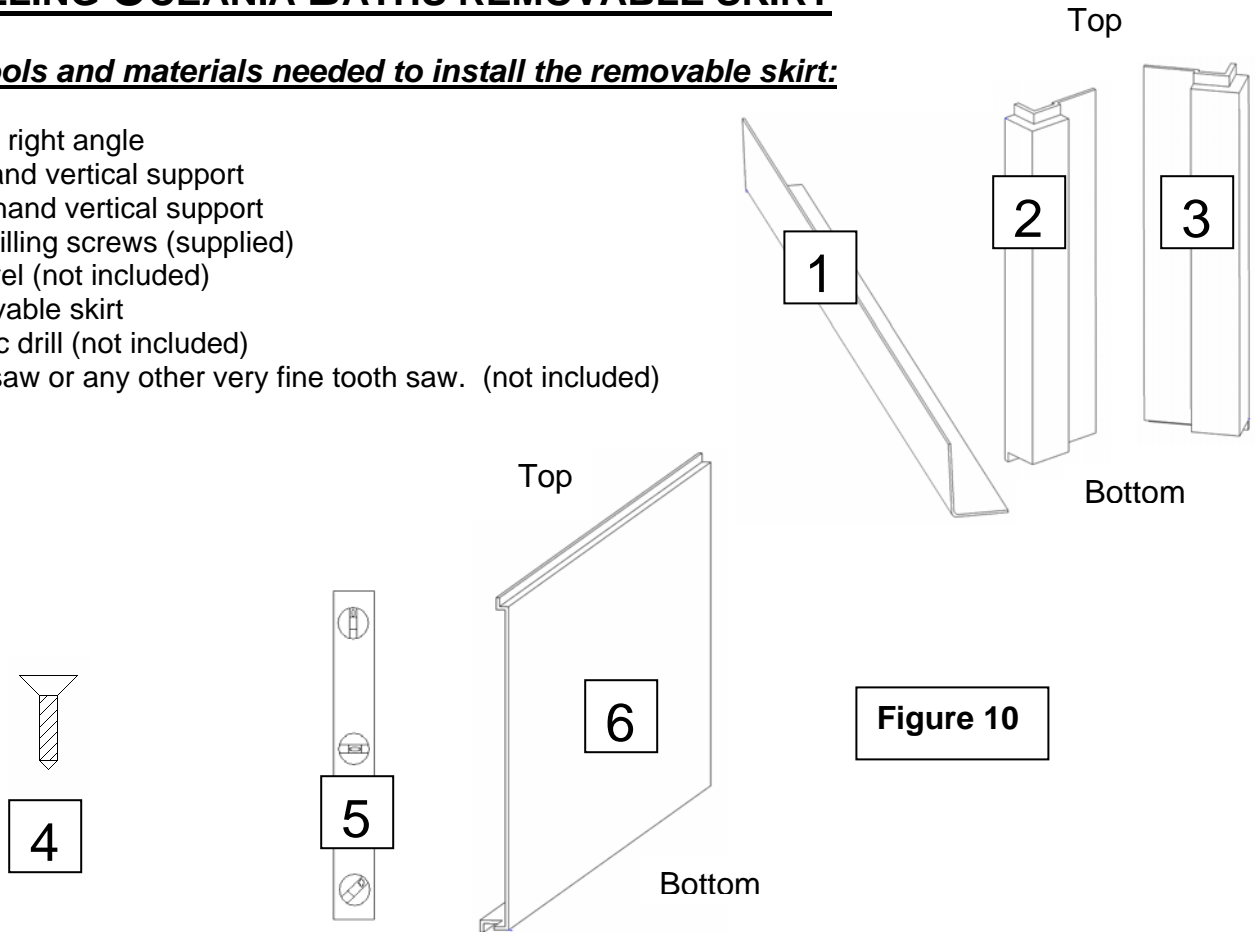


REMOVABLE SKIRT INSTALLATION

INSTALLING OCEANIA BATHS REMOVABLE SKIRT

List of tools and materials needed to install the removable skirt:

1. Acrylic right angle
2. Left-hand vertical support
3. Right-hand vertical support
4. Self-drilling screws (supplied)
5. 12" level (not included)
6. Removable skirt
7. Electric drill (not included)
8. Hack saw or any other very fine tooth saw. (not included)



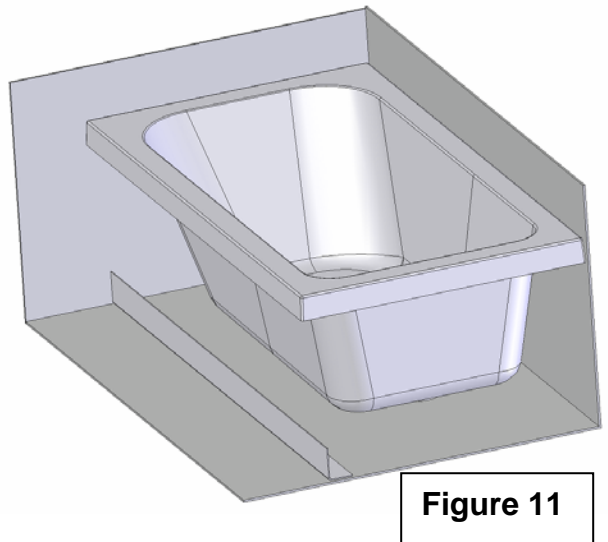
Step #1 : Installing the bath:

Install your new bath according to the instructions supplied with your bath. Make certain that the bath is perfectly leveled and properly supported by reinforcing your floor if necessary.

Important note : Some bathtub models may need to be lift up to fit the removable skirt.

Step #2 : Positioning the vertical supports:

- a) Before installing the vertical supports (2 & 3), temporarily position the acrylic right angle (1) on the floor directly under the bath lip. The acrylic right angle (1) should be installed with the long end up and the acrylic surface in front of you. **Note: It may be necessary for you to cut the acrylic right angle (1) for it to fit properly. If this is the case, measure the distance between the two walls surrounding your bathtub, then carefully cut the acrylic right angle (1) with a Hack saw or similar very fine tooth saw.**



REMOVABLE SKIRT INSTALLATION

- b) ***Installing the vertical supports:*** Take one of the vertical supports (2 or 3) and position the upper end of it under the bath lip. While holding it in place, take your 12 in. level (5) and adjust the vertical support (2 or 3) so that it will be perfectly vertical and flush with the bath lip. Attach the vertical support (2 or 3) with two of the self-drilling screws (4) as shown in the picture below. Repeat the same steps for the other vertical support (2 or 3).

Figure 12

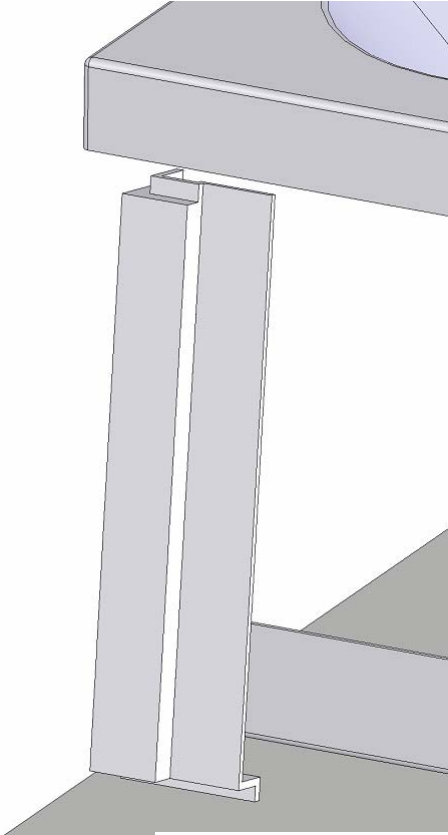


Figure 13

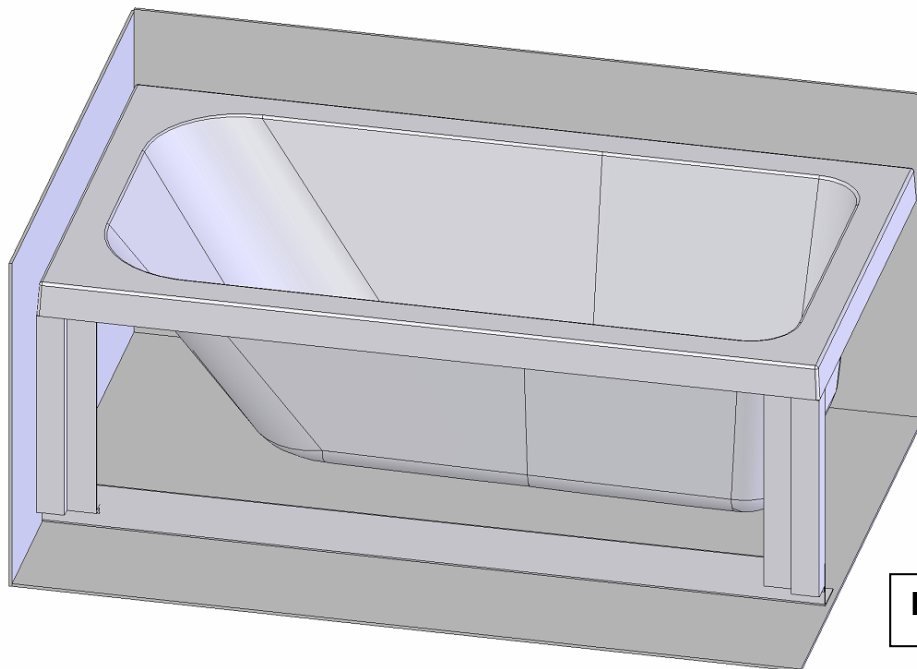
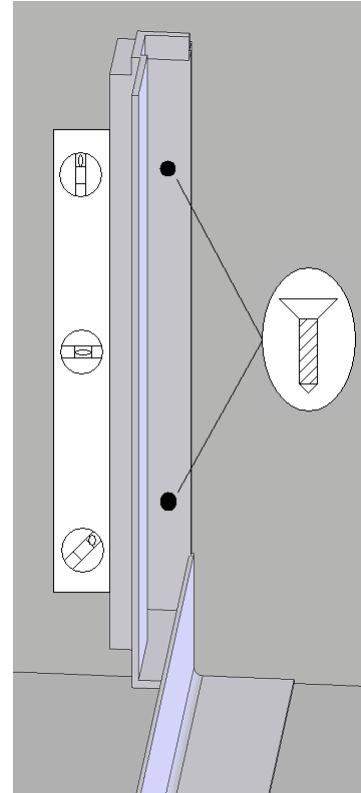


Figure 14

REMOVABLE SKIRT INSTALLATION

Step #3 : Installing the acrylic right angle:

Lean the acrylic right angle (1) on the back of the vertical supports (2 & 3), as shown in the picture below, then use three of the supplied self-drilling screws (4) to attach the acrylic right angle (1) to the floor. Refer to the picture below for the suggested screw places.

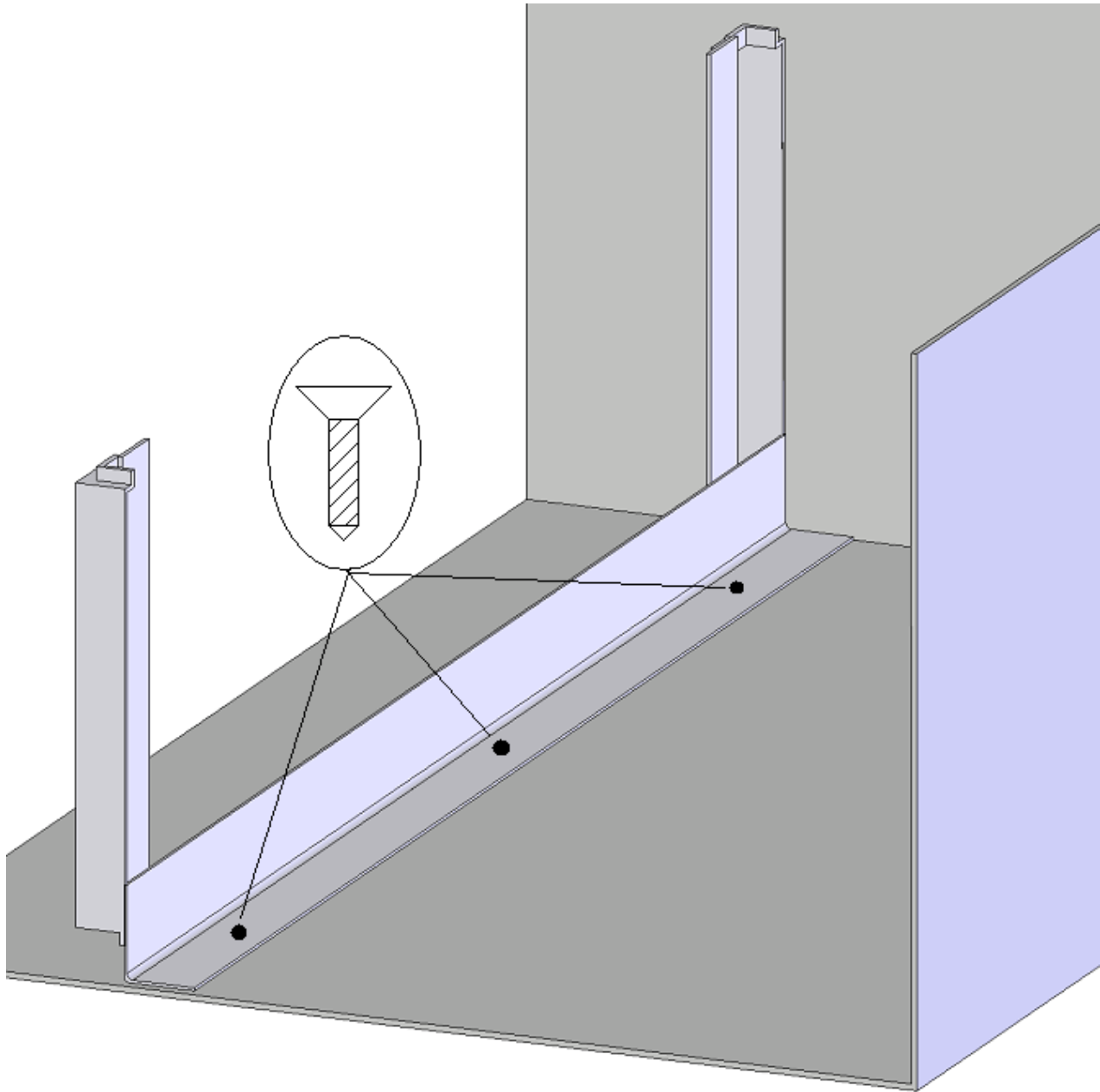


Figure 15

REMOVABLE SKIRT INSTALLATION

Step #4 : Installing the removable skirt:

- a) **Positioning the removable skirt:** Position the removable skirt (6) under the bath lip, as shown in the picture below. Note that the retaining lip on the top part of the removable skirt (6) is held in place by both the bath lip and the vertical supports (2 & 3).

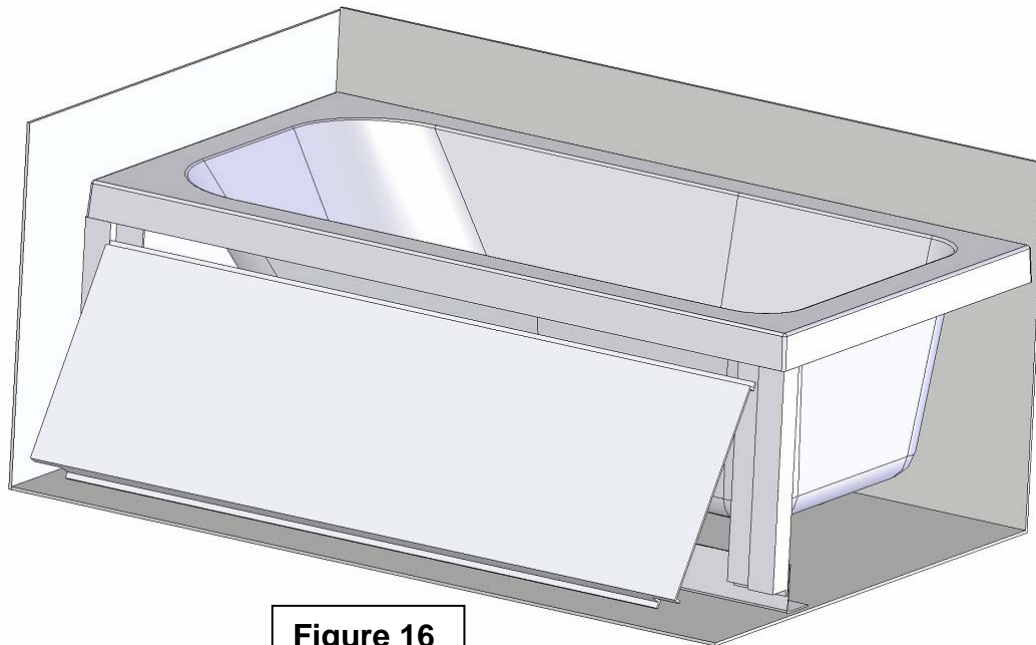


Figure 16

- b) **Final installation of the removable skirt:** Center the removable skirt (6) between the two vertical supports (2 & 3). Using the supplied self-drilling screws (4), gently screw the bottom of the removable skirt (6) to the acrylic right angle (1) and the bottom of the vertical supports (2 & 3), as shown in the picture below. **NOTE: OVER-TIGHTENING THESE SCREWS MAY CAUSE BREAKAGE TO THE ACRYLIC RIGHT ANGLE (1) AND THE VERTICAL SUPPORTS (2 & 3). USE EXTREME CAUTION WHEN TIGHTENING THESE SCREWS.**

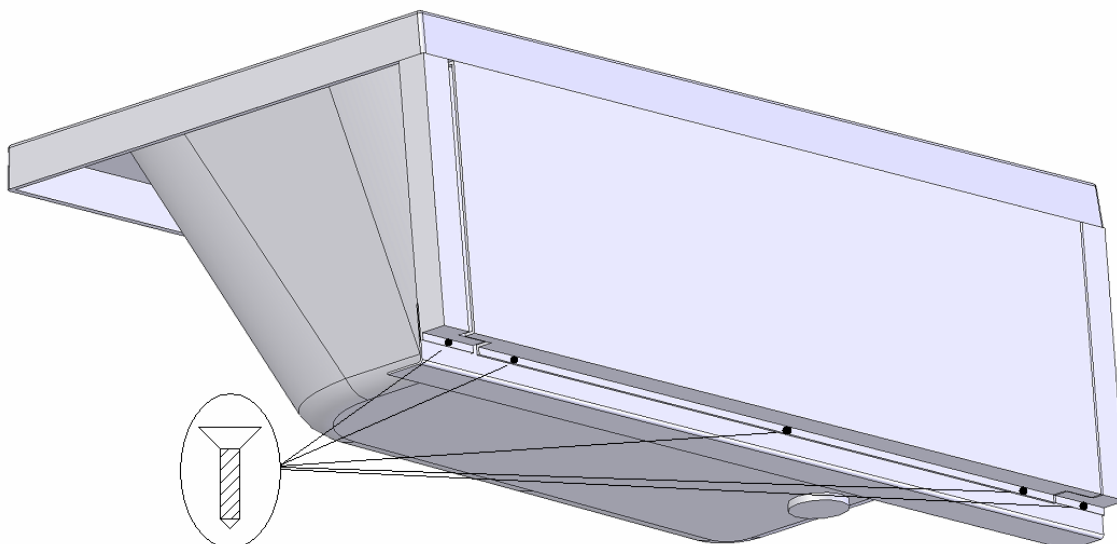


Figure 17

OPERATING INSTRUCTIONS

OPERATING INSTRUCTIONS

General Instructions

1. The massage provided by the Therapeutic Air System depends on the number of tiny air bubbles running over your skin. The more bubbles you have, the more you feel the intensity of the massage penetrating deeply into your muscles.
2. The massage provided by the Hydro-Massage System depends on the number of tiny air bubbles injected into the water propelled by the jets. The more bubbles you have, the more vigorous the massage. You can adjust the air controls to reduce or increase the number of air bubbles propelled with the water. When these controls are completely closed, only water is propelled with almost no air, offering you a softer massage.
3. **WARNING:** Risk of accidental injury, or drowning; do not use alcohol, drugs or medication before or during the use of the bathtub.
4. Our blowers and pumps are equipped with an integrated thermal protection that may turn off the blower or pump when their internal temperature is too hot. If this is the case, wait a minimum of 30 minutes before using the system again.

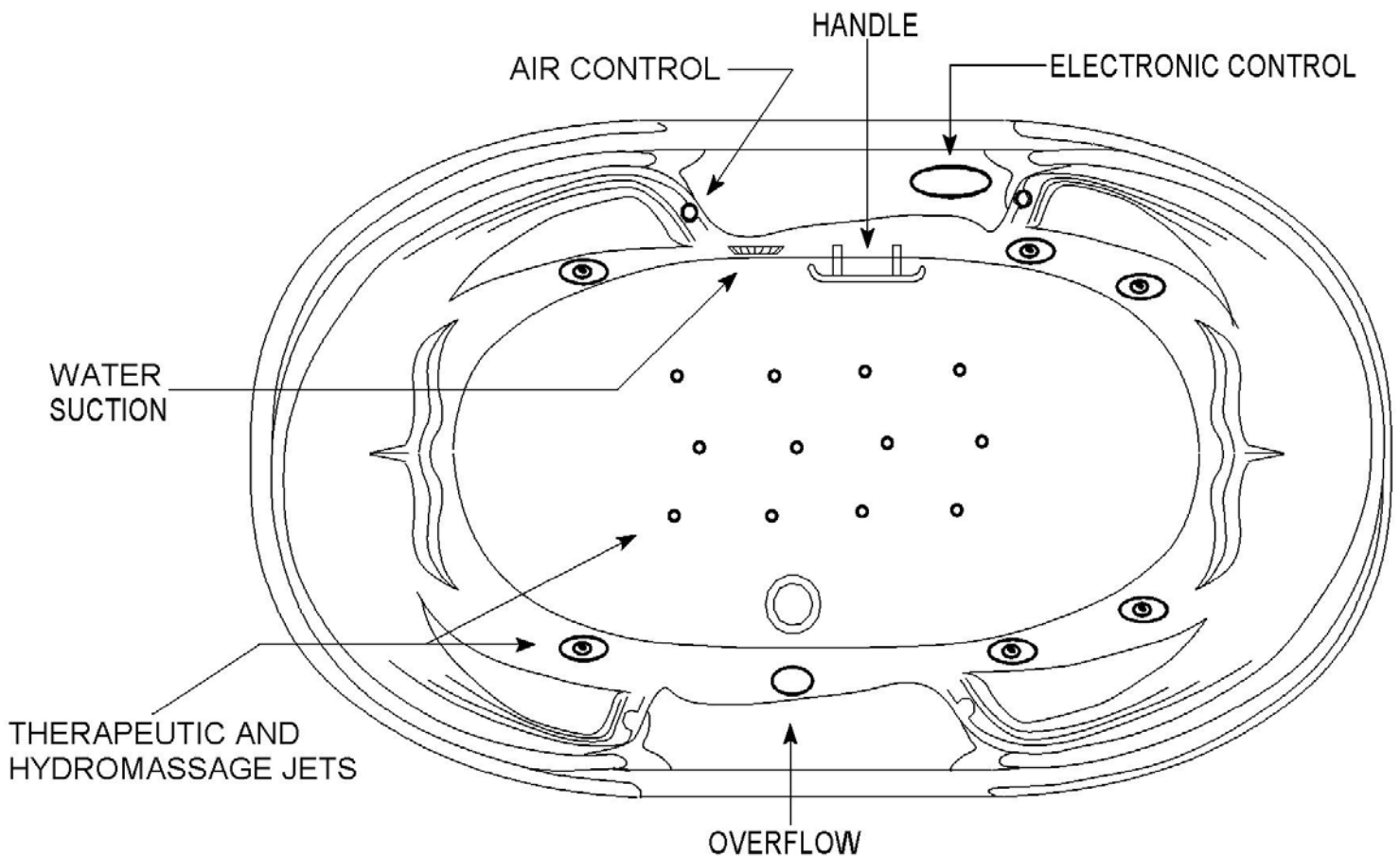


Figure 18

OPERATING INSTRUCTIONS

How to Use the Therapeutic Air System

1. The tub must be properly cleaned before use.
2. Your bathtub is equipped with a variable speed blower and an electronic control.
3. Fill your therapeutic air bath at least to submerge the holes on the side of your bathtub. There is no risk to damage the air blower but it will prevent water from being splashed.
4. The therapeutic air system comes with an automatic cleaning feature that completely dries all pipes and channels and guarantees optimal hygiene (see "How the Drying Cycle Works" section on this page for more details).
5. You must provide a one square foot (minimum) air vent that will let air go through, like a metal grid, to assure fresh airflow to the blower. This will avoid overheating problems. The warranty does not cover the costs for the replacement of a blower that overheated.
6. The blower can be relocated up to 12 feet from the bath. Ask your dealer for more information on blower relocation. Please note that it is normal to hear the blower working.
7. All of our blowers are equipped with an integrated thermal protection that may turn off the blower, if the internal blower temperature is too hot. Wait for at least 30 minutes before using the system again.

How the Drying Cycle Works

Your new bathtub equipped with a therapeutic or combined system is also equipped with a sophisticated sanitizing/drying cycle that assures you the highest level of hygiene for your bathtub system components. In the following points, discover how this sanitizing/drying system works.

- a) The sanitizing/drying cycle automatically starts the blower for about two minutes during which hot air is blown through the air system, drying the entire air system. Let this automatic cycle complete this sanitizing/drying phase. Do not manually shut off this cycle, it will automatically start again 13 minutes later.
- b) The electronic control of your system is designed to start an automatic sanitizing/drying cycle 13 minutes after the blower has been turned off.
- c) The electronic control of your system is also designed to start an automatic sanitizing/drying cycle 40 minutes after water is detected in the bathtub and the keypad was not used. For example, if you take a 15 minutes bath (without using the system), the sanitizing/drying cycle will start 25 minutes after the bath, which is 40 minutes after water detection. The sanitizing/drying cycle will start over every 40 minutes until the bathtub system pipes are completely dry.
- d) After the purge, the electronic control verifies to make certain that the air system is dry. If any humidity is detected the 2 minutes sanitizing/drying cycle will repeat later on.
- e) The purge cycle may start for no apparent reason: It is normal for the sanitizing/drying cycle to occasionally start on its own, even if you haven't used the bathtub for hours, even days. This is due to a high humidity detected in the system of your bathtub. To ensure maximum hygiene, the electronic control is designed to detect excessive humidity and start the sanitize/dry cycle automatically.

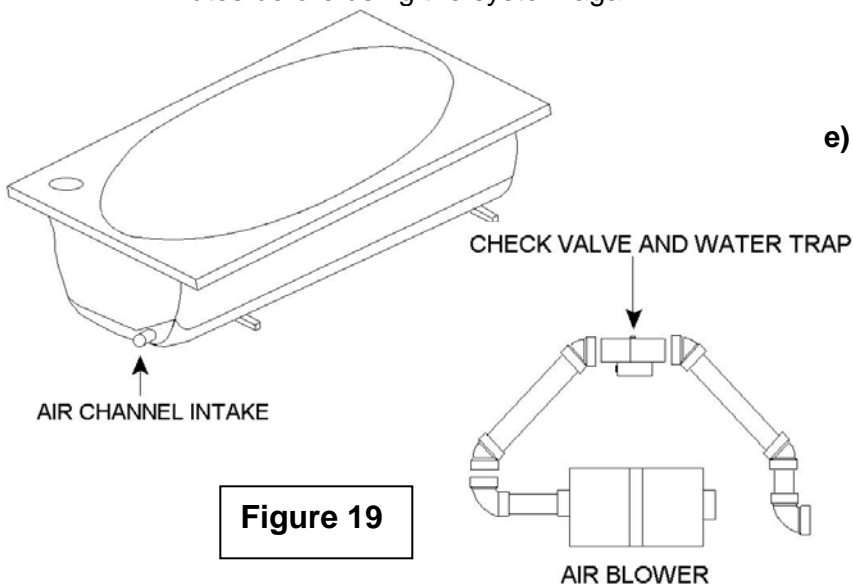


Figure 19

OPERATING INSTRUCTIONS

How to use the Hydromassage System

1. The tub must be properly cleaned before use.
2. Do not start the pump until the jets are submerged and the water level is 2 inches below the water overflow (with someone inside the bathtub). **NEVER START THE HYDROMASSAGE UNLESS THE JETS ARE COMPLETELY SUBMERGED.**
3. The water intake of the hydromassage system is located on the inner wall of the tub. It must never be obstructed. (Refer to the General Safety Instructions).
4. Point the hydromassage jets to different parts of your body needing the massage.
5. A greater air supply will affect the way the hydromassage works. Adjust the airflow with the air supply control located along the inside edge of the tub. If the air control is closed, only water will be propelled, with almost no air.
6. If your bath is equipped with a variable speed pump, you may notice that it is a little noisier than a one-speed pump. This is caused by the high revolution speed of the motor, which is about 4 times faster than the one speed pump.
7. All our systems are equipped with an integrated thermal protection that shut off the pump, if the pump internal temperature is rising too high. Wait for at least 30 minutes before using the system again.

NOTE: A running hydromassage, combined with soaps, bath oils or detergents can generate a great deal of bath foam.

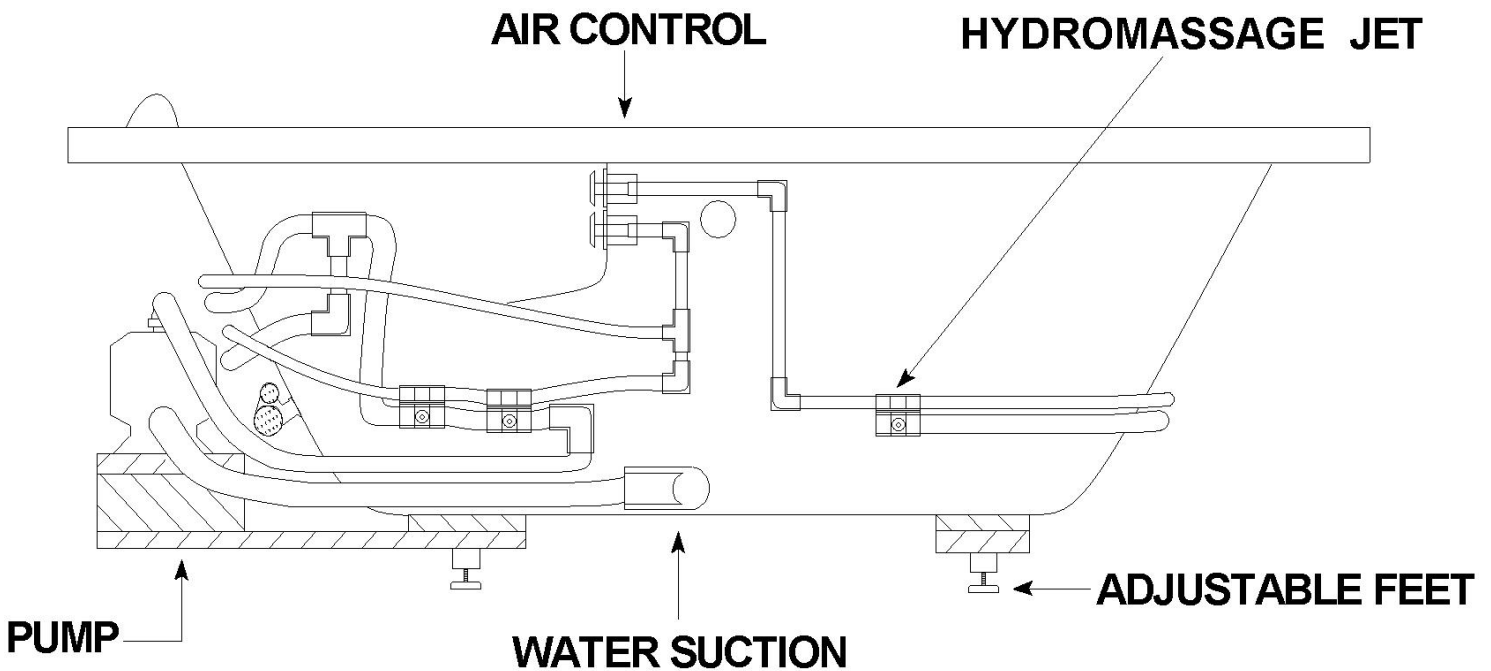


Figure 20

USER MAINTENANCE INSTRUCTIONS

MAINTENANCE INSTRUCTIONS

1. The acrylic of your new bathtub has a glossy finish. In order to preserve this finish, never use abrasive cleaners containing scouring powder (ex. Ajax, Vim, etc), steel wool, acetone (nail polish remover), dry cleaning fluid, window-cleaning products, and ammonia compound, paint thinner, mineral or benzene oil on the acrylic surface, the jets and the handles of your bath.
2. Clean your bath once a week using a soft sponge or cloth with liquid detergent (ex. dishwashing detergent, Hertel, Simple Green, Greased Lightning, Mr. Clean, etc.) and warm water. Make certain the product is recommended for use on acrylic by the manufacturer (see product label).
3. Mineral deposits and soap films can develop on your bathtub accessories. Regular cleaning is recommended, using mild liquid soap and, if needed, a Teflon scrubbing pad.
4. Regular car wax will restore your bathtubs original luster. Polish and clean your bath using mild soap. We recommend polishing your bath every six months.
5. Small scratches can be removed by buffing lightly with a clean cloth and using either an automotive polishing liquid or toothpaste containing a fine polishing ingredient (like Arm & Hammer or other). For deeper scratches, sand the surface lightly with 400 grit "wet or dry" paper and buff with fine-grit buffing compound. Clean your bath as described above and you will see your bathtub shine as new again. For bigger scratches and/or any other considerable break, please contact us for an acrylic repair specialist referral.
6. You may use bubble baths, bath salts and bath oils just like in an ordinary bathtub, but in smaller amounts, without causing any damage to the pump, the blower or the piping system. The hydromassage and/or therapeutic effect, combined with a bubble bath, may cause excessive bath foam. Use less of any foaming agent when taking a therapeutic or hydromassage bath.
7. After using bath salts and/or oils, you need to refill your bath up to 2" above the highest jet with cold water, and start the system(s) for 2 or 3 minutes in order to rinse all residues that may still be inside the system.
8. Disinfect your bath every month or after a long period of nonuse of the bath system, by following these instructions:
 - a) NEVER START THE HYDROMASSAGE SYSTEM IF THE JETS ARE NOT COMPLETELY COVERED WITH WATER.
 - b) Fill your bath with hot water 2" above the highest jet.
 - c) Add 2 or 3 tablespoons of powder or liquid dishwasher detergent and a maximum of 4 ounces of household bleach directly in the water (CAUTION: too much bleach could cause stains or dulled spots on the surface of the bathtub).
 - d) For hydro massage system: Run the system for 10 minutes.
For therapeutic air system: Start the system for 30 seconds and then stop it for 30 seconds. Repeat this cycle ten times.
 - e) Empty your bath and fill it again using cold water, and as always, 2" above the highest jet.
 - f) For hydro massage system: Run the system again for 10 minutes, in order to completely rinse all system components.
For therapeutic air system: Start the system for 30 seconds and then stop it for 30 seconds. Repeat this cycle five to ten times.
 - g) Empty your bath and wipe dry.

USER MAINTENANCE INSTRUCTIONS



Easy Care for an Elegant Surface

This beautiful surface is LUCITE CAST ACRYLIC, the highest quality, most durable material available. Its hard, non-porous surface prevents dirt from accumulating and resists stains better than other plastic materials. With normal use, LUCITE CAST ACRYLIC is so durable it will retain its beauty with only a minimum of care. To maintain the elegant look of LUCITE CAST ACRYLIC, just follow these simple steps:

- For normal care and cleaning, use a soft cloth or sponge with soap and water. Rinse well and dry with a soft, clean cloth. If using a household cleaner, make sure it is recommended for use on acrylic by the manufacturer.
- Remove dust and dry dirt with a soft, clean, damp cloth.
- Clean grease, oil, paint and ink stains with isopropyl (rubbing) alcohol. Rinse well and dry with a soft, clean cloth.
- Never use abrasive cleaners/ cleansers.
- Do not allow LUCITE CAST ACRYLIC surface to come into contact with nail polish, nail polish remover, Wintergreen oil (methyl salicylate), dry cleaning solution, lacquer thinners, gasoline, pine oil, etc.
- Avoid placing razorblades or other sharp instruments on this surface, as they may scratch it. Small scratches can be removed by buffing lightly with a clean cloth and using either an automotive polishing liquid or toothpaste containing a fine polishing ingredient (like Arm & Hammer or other). For deeper scratches, sand the surface lightly with 400 grit "wet or dry" paper and buff with fine-grit buffing compound.

Keep this surface glossy and beautiful by giving it proper care. And remember, with LUCITE CAST ACRYLIC, proper care is easy care!

Lucite® is a registered trademark
of Lucite International, Inc.

TROUBLESHOOTING

TROUBLESHOOTING:

Troubleshooting your Therapeutic Air System

Blower fails to operate:

1. Check electric power supply. Reset the circuit breaker or replace the fuse if necessary.
2. Verify that the electronic keypad is properly connected.
3. Check the ground fault circuit interrupter. Reset it if tripped.
4. If the system has been running for a long period, it is possible that the integrated thermal protection has turned off the blower. Wait for at least 30 minutes before using the system again.

You must provide a one square foot (minimum) air vent that will let air go through, like a metal grid, to assure a fresh airflow to the blower.

The free air space in the podium (deck) shall be minimum 13.31 cubic feet and is determined by multiplying the outside length (L), the width (W), and the height (H) (1 inch below the overflow) minus the maximum water capacity in cubic feet (1 inch below the overflow). Tip: 7.48 gallons US = 1 cubic ft.

Motor runs but no air comes out of the jets:

1. Verify that main air pipe from manifold to blower is properly connected. If necessary, reconnect it and tighten the screw.
2. The air intake is blocked with debris.
3. No air intake panel was installed and not enough air is available for the blower. Install an air intake panel.

The air heater does not seem to be working:

1. If your tub is installed against two outside walls, it is recommended to adequately insulate these outside walls to minimize heat loss.
2. The blower must be supplied with warm surrounding air and not with cold outside air. The blower should not be installed in a space where room temperature could drop under 68 F (20 °C).

3. People with sensitive skin might experience a *cold air effect*, caused by the tiny air bubbles running over their wet skin, causing the bather to shiver. Please note, when the system is started, the blower uses the warm surrounding air; after a few seconds, the heating element, heats this room temperature air and should eliminate the cold air sensation.
4. You can check if the air injected into the bath is hot by touching the black air pipe under the bath.

WARNING : Never take a bath with water a temperature over 38°C (100F). If you take very hot baths the air injected into the bath may seem cool. This cool sensation is caused by the difference of the warm air temperature and the hot skin temperature. The hotter the water, the cooler the air will seem.

The air heater is not designed to heat nor cool the water in the bathtub, it's designed to heat the air injected into the bath, to a temperature near your normal body temperature.

The blower starts on its own:

1. Your bathtub is equipped with a sophisticated sanitizing/drying system that assures you the highest level of hygiene. The electronic control of your system is designed to start an automatic sanitizing/drying cycle 13 minutes after the blower has stopped or 40 minutes after water detection in your bathtub. For about two minutes, hot air is blown through the system. Let this automatic cycle complete the drying phase. Do not manually turn off this cycle; it will start again 13 minutes later. ***Refer to "How the Drying Cycle Works" in the Operation section of this manual on page 19.***
2. **The purge cycle may start for no apparent reason:** It is normal for the sanitizing/drying cycle to occasionally start on its own, even if you haven't used the bathtub for hours, even days. This is due to a high humidity detected in the system of your bathtub. To ensure maximum hygiene, the purge cycle is designed to detect excessive humidity and start the sanitize/dry cycle automatically.

TROUBLESHOOTING

Troubleshooting your Hydromassage System:

Pump will not prime or jet pressure is irregular:

1. There may be a loss of water suction. Check if any object is blocking the water intake. Tighten all pump pipes and suction connections. Make certain all jets are below water level.
2. Some pipes may be blocked. Start the pump and check seals.

The pump will not start:

1. There may be a problem with the electrical supply. Check if all switches are on. Ensure that all fuses and breakers are in good condition. Check the wire connections between the motor and the terminals.
2. Check the ground fault circuit interrupter. Reset it if tripped.
3. The pump may be blocked. Turn off the power supply and manually turn the shaft. If it does not turn easily, call your dealer.

Jet pressure is too weak:

1. Some jets may be obstructed. Verify the jets and remove any obstruction.
2. The air control may be closed. Adjust the airflow. More air means better pressure.
3. There may be a loss of water suction. Check if any object is blocking the water intake. Tighten all pump pipes and suction connections. Make certain all the jets are below water level.
4. Some pipes may be blocked. Start the pump to remove all obstructions.

The pump is overheating:

If the system has been running for a long period, it is possible that the integrated thermal protection has shut off the pump. Wait for at least 30 minutes before using the system again. Excessive heat can be caused by:

1. Low or improper voltage. Consult a qualified electrician.
2. Insufficient ventilation. Ensure that there is sufficient space around the motor to allow air to circulate and cool off the motor.

The free air space in the podium (deck) shall be minimum 13.31 cubic feet and is determined by multiplying the outside length (L), the width (W), and the height (H) (1 inch below the overflow) minus the maximum water capacity in cubic feet (1 inch below the overflow). Tip: 7.48 gallons US = 1 cubic foot.

AEROTHERAPY & AROMATHERAPY

Aerotherapy, the Massage that Fits your Needs!

The large variety of configurations available allows you to choose exactly the type of massage that fits your needs. Our discreet nozzles on the base and/or the sides of your bath gently massage all the muscles of your body, for a complete, gentle and very pleasant state of relaxation.

The anti-return valves in each nozzle ensure complete hygiene.

It is well known that the effects of a water massage and buoyancy allow muscles to work more efficiently in daytime and accustom them to relax more completely at night. Combined with Aromatherapy (refer to the section below), Aerotherapy brings you a deep physical and mental comfort and heals almost all body pains.

Aromatherapy, Combined with Aerotherapy: A Soothing Experience!

1. Oceania Baths therapeutic air massage system is one of the most effective means of releasing the true potential of essential oils. The therapeutic air massage system continually re-circulates the warm bath water ensuring even distribution of any essential oils added to the water, thereby promoting absorption, inhalation and relaxation.
2. The bubbling action softens the skin, opens the pores and helps to relax, enabling the body to easily absorb essential oils.
3. The huge amount of air bubbles created by the therapeutic air massage system carry small molecules of oil, which gradually rise to the surface where they are transformed into a steamy vapor. The bather benefits by inhaling this Aromatherapy vapor, rich in essential oils.
4. The gently swirling waters of a therapeutic air massage system relaxes muscles and eases away the aches, pains, stresses and strains of the day. This relaxed state opens your body and your mind to totally benefit from the effects of essential oils.

A Few Recipes...

The following page presents you the most well known essential oils and their properties. You will find essential oils in natural food stores and stores selling bath products.

Mix your own recipe, to fit your needs with the fragrances you love and enjoy!

Mix a maximum of 4 to 6 drops of your favorite oils in your bath, from the following suggestions. NEVER APPLY ESSENTIAL OILS DIRECTLY ON THE SKIN.

WARNING : Some brands of *Wintergreen* essential oils have been known to damage acrylic surfaces.

Perfume the Air: Another Aspect of Aromatherapy!

Incenses and scented candles represent another benefit of the Aromatherapy. These fragrances create a completely new atmosphere: The final touch to your relaxation!

The following list presents some of the fragrances available in incenses and scented candles, along with a brief description of their respective properties.

Patchouli: Relaxation and opening of the mind

Vervein: Purification

Olibanum: Eliminates all negative thoughts

Amber: Vigorating and magnetic

Basil: Ease away worries and relaxes the mind

Benzoin: Mystical ecstasy

Coriander: Artistic sensuality and ease away headaches

Cypress tree: Vitality

Eucalyptus: Stimulates the nervous system and purifies your breath.

Clove: Stimulates memory and increase the mental reflexes

Lavender: Raises your spirits

Bay leaf: Increase physical resistance

Rosemary: Purify body and mind

AEROTHERAPY & AROMATHERAPY

Aromatherapy Chart

<i>Relaxing</i>		<i>Energizing</i>		
<i>To lower stress</i>	<i>For a peaceful sleep</i>	<i>The "wake-upper" oils</i>	<i>Stimulating</i>	<i>The fortifiers</i>
Hawthorn	Bergamot, Mandarin	Chamomile	Ginger, Clove, Mint	Cedar
Cherry tree	Melissa	Marjoram	Hyssop, Lavender	Cypress tree
Wild thyme	Rose	Ylang-Ylang	Parsley, Fir tree, Thyme	Spruce
Patchouli	Patchouli		Sandalwood, Olibanum	Fir tree

<i>Curative</i>				
<i>Skin care</i>	<i>Astringent</i>	<i>Healing</i>	<i>Anti-wrinkles</i>	<i>Anti-cellulite</i>
Lavender, Aspic	Lemon	Rose, Bergamot, Patchouli	Chervil	Cypress
Geranium, Pine tree	Citronella	Aspic, Clove, Lavender, Geranium	Patchouli	Myrrh
Mint, Orange	Rosemary	Juniper berry	Melissa	Wild thyme
Patchouli, Myrrh	Black current	Olibanum, Thyme, Savory, Orange	Orange	
Dandelion		Wild Thyme, Hyssop	Eucalyptus	

<i>Hair Care</i>			
<i>Anti-dandruff</i>	<i>Growth and Alopecia</i>	<i>Shine</i>	<i>Scalp Regeneration</i>
Eucalyptus	Clove	Cinnamon	Cedar
Mint	Oregano	Black current, Cherry tree	
Orange	Sage	Sage, Ylang-Ylang	

<i>Respiratory Problems</i>		<i>Aphrodisiac</i>
<i>Bronchial Tubes</i>	<i>Antiseptic oils</i>	<i>Sexual Stimulation</i>
Camphor, Cypress	Cinnamon, Lavender	Ginger, Clove
Spruce, Eucalyptus	Marjoram, Oregano	Thyme, Savory
Orange, Myrrh, Fir tree	Rosemary	Rose
Pine tree, Juniper berry	Ylang-Ylang	Ylang-Ylang
Wild thyme		Cinnamon

<i>Physical Pain</i>				
<i>Muscle Pain</i>	<i>Blood Circulation</i>	<i>Menstrual Pain</i>	<i>Migraines</i>	<i>Hemorrhoids</i>
Citronella	Melissa	Tarragon	Eucalyptus	Cypress tree
Sage	Nutmeg	Fennel	Marjoram	Lavende
Ylang-Ylang	Nettle	Oregano	Wild thyme	Wild thyme
	Wild thyme	Rose, Vervein		Olibanum, Ylang-Ylang

CHROMATHERAPY

Chromatherapy Chart

	<i>The color of:</i>	<i>Actions</i>
<i>Red</i>	Passion, courage, energy, magnetism, vitality, strength, good health	<ul style="list-style-type: none"> • Increases sexual stimulation • Increases self-esteem • Stimulates liver functions
<i>Orange</i>	Creativity, warmth, youth, joy, stimulation, ambition	<ul style="list-style-type: none"> • Stimulates ambition • Anti-fatigue • Stimulates nervous system
<i>Yellow</i>	Intellect, optimism, inspiration, happiness, wisdom	<ul style="list-style-type: none"> • Stimulates and improve learning process • Antidepressant
<i>Green</i>	Harmony, balance, calm, healing, nature	<ul style="list-style-type: none"> • Calms nervousness • Relieves anger and stress • Helps with insomnia
<i>Indigo blue</i>	Serenity, peace, clarity, healing	<ul style="list-style-type: none"> • Induces a relaxation state • Improves healing process
<i>White</i>	Purity, sincerity, simplicity	<ul style="list-style-type: none"> • Repels negativity • Strengthens the power of other colors
<i>Violet</i>	Inspiration, creativity	<ul style="list-style-type: none"> • Decreases anxiety • Repels violence
<i>Purple</i>	Influence, guidance, power	<ul style="list-style-type: none"> • Treats frigidity • Stimulates relaxation • Increases awareness • Stimulates creativity

WARNING

*This Instruction &
Warranty booklet shall be
removed only by the final
user prior to using this
unit.*